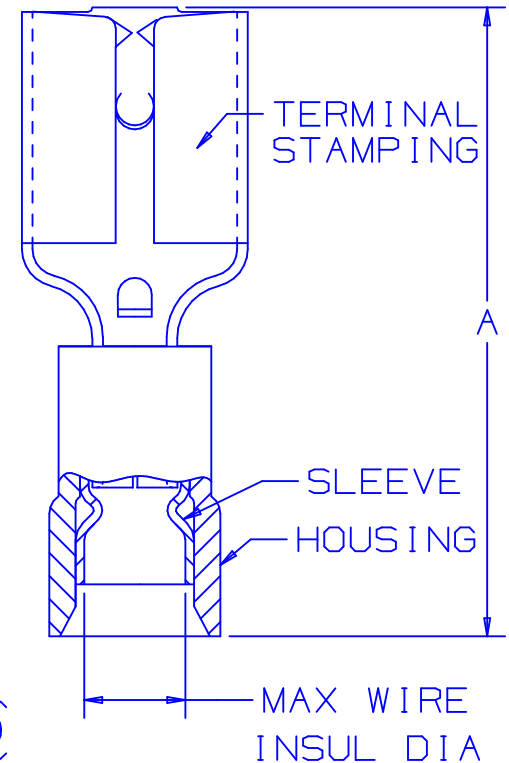
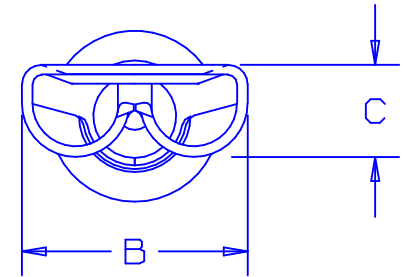


PART NUMBER		TAB SIZE	WIRE RANGE AWG	HOUSING COLOR	MAX INSUL DIA	DIMENSIONS in		
PREFIX	PK					A ±.03	B ±.01	C ±.01
DVF18-187	-C -M -MY	.187 × .032 (4.8 × 0.8)	22-18	RED	.137 (3.48)	.76 (19.3)	.23 (5.8)	.10 (2.5)
DVF18-188	-C -M -MY	.187 × .020 (4.8 × 0.5)	22-18	RED	.137 (3.48)	.76 (19.3)	.23 (5.8)	.10 (2.5)
DVF18-205	-C -M	.187/.205 × .032 (4.8/5.2 × 0.8)	22-18	RED	.137 (3.48)	.76 (19.3)	.25 (6.4)	.12 (3.0)
DVF18-206	-C -M	.187/.205 × .020 (4.8/5.2 × 0.5)	22-18	RED	.137 (3.48)	.76 (19.3)	.25 (6.4)	.12 (3.0)
DVF18-250	-C -M -MY	.250 × .032 (6.3 × 0.8)	22-18	RED	.137 (3.48)	.81 (20.6)	.29 (7.4)	.12 (3.0)
DVF14-187	-C -M	.187 × .032 (4.8 × 0.8)	16-14	BLUE	.162 (4.11)	.76 (19.3)	.23 (5.8)	.10 (2.5)
DVF14-188	-C -M	.187 × .020 (4.8 × 0.5)	16-14	BLUE	.162 (4.11)	.76 (19.3)	.23 (5.8)	.10 (2.5)
DVF14-205	-C -M	.187/.205 × .032 (4.8/5.2 × 0.8)	16-14	BLUE	.162 (4.11)	.76 (19.3)	.25 (6.4)	.12 (3.0)
DVF14-206	-C -M	.187/.205 × .020 (4.8/5.2 × 0.5)	16-14	BLUE	.162 (4.11)	.76 (19.3)	.25 (6.4)	.12 (3.0)
DVF14-250	-C -M	.250 × .032 (6.3 × 0.8)	16-14	BLUE	.162 (4.11)	.81 (20.6)	.29 (7.4)	.12 (3.0)



LISTED CERTIFIED
20H3

A41635_04

NOTES:

- USED FOR:
 - A. 300V MAX. VOLTAGE RATING
 - B. STRANDED COPPER WIRE ONLY
 - C. 194°F (90°C) MAX.TEMP.RATING OF INSUL. MATERIAL.
- MATERIAL:
 - A. STAMPING: .016 (0.41) THK BRASS, TIN PLATED
 - B. SLEEVE: .016 (0.41) THK. BRASS, TIN PLATED
 - C. HOUSING: VINYL
- INSTALLATION TOOLS: CT-500,CT-1550,CT-1551,CT-550,
CT-2400 (CT-2455CH),CT-600 (CT-500CH
OR CT-550CH)
- DIMENSIONS IN BRACKETS ARE IN MILLIMETERS
- PACKAGE QUANTITY: -C = 100 PCS.
-M = 1000 PCS., -MY = 1000 PCS.
- WIRE STRIP LENGTH: 9/32^{+1/32} (7.1^{+0.8})
-0

04	5/05	JHNU		ADDED PACKAGING CODE "MY" TO DRAWING.					
03	11/04	KLFU	SKB	ADDED GEOMETRY			SKB	TRO	
02	6/97	JAMB	RLS	MAX. TEMP. RATING OF INSULATION MATERIAL WAS 221°F (105°C)	05958		LA	DBH	
01	5/97	JAMB	RLS	ADDED " LISTED 20H3 "AND " CERTIFIED " TO EXISTING UL AND CSA SYMBOLS	05813		LA	DBH	
REV	DATE	BY	CHK	DESCRIPTION	ECN #	QA	CUST	PM	SUP

PANDUIT CORP

TINLEY PARK, ILLINOIS

VINYL INSULATED FEMALE DISCONNECT,
FUNNELED WIRE ENTRY (DVF SERIES)

DRAWN BY T SMA CHK'D RLS SCALE NONE DRAWING NO. A41635